

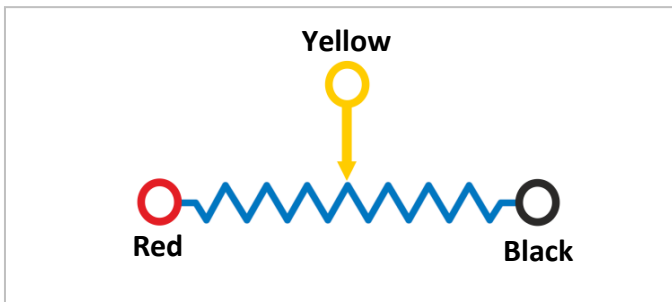


- Measurement length 5.000 mm to 10.000 mm
- 1 mm wire diameter
- Maximum 42V Power Supply
- Small size
- High strength stainless steel wire
- Potentiometric Measuring  
Or 0-10 VDC Analog Output  
Or 4-20 mA Current Output
- 0,5 m/s maximum speed
- IP54 Protection class
- Shock/Vibration resistant

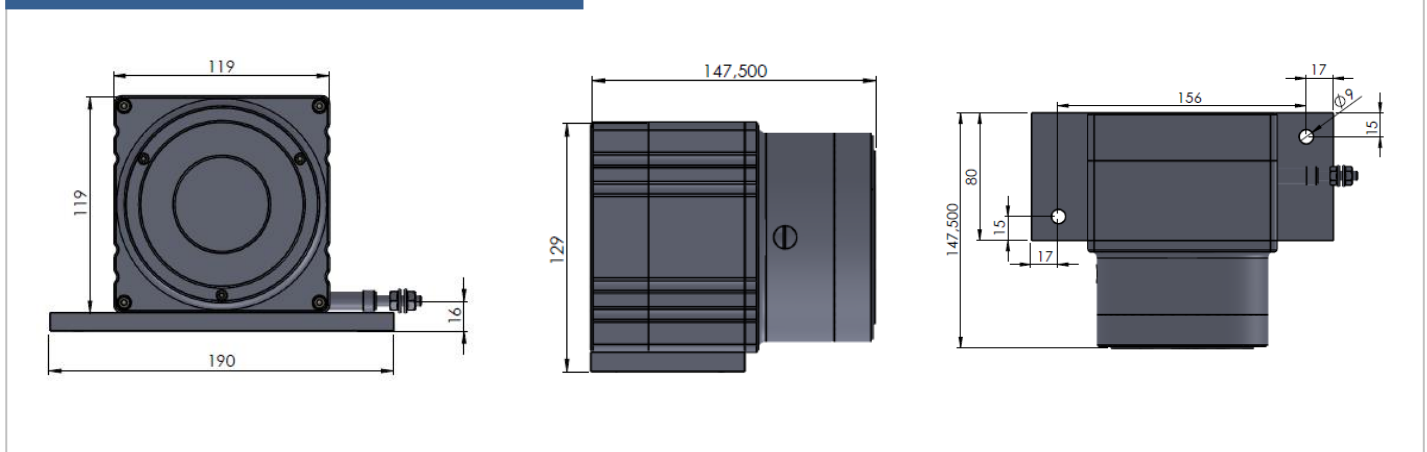
The AWP series are wire potentiometric position transducers that turn a linear motion into a resistance variation. They are made of a precision rotating potentiometer operated by a winding or unwinding, stainless steel wire. Optionally other stroke lengths, cable length and socket connector can be requested.

### TECHNICAL SPECIFICATIONS

<b>Power Supply</b>	Max. 42 V
<b>Stroke Length (mm)</b>	5.000, 6.000, 7.000, 8.000, 9.000, 10.000 (Please ask us for other lengths)
<b>Maximum Speed</b>	0,5 m/s
<b>Resistance</b>	5K $\Omega$ (Optional Other)
<b>Output</b>	Potentiometric Or 0-10 VDC Analog Output Or 4-20 mA Current Output
<b>Linearity</b>	$\pm$ %0,25
<b>Protection Class</b>	IP54
<b>Process Temperature</b>	- 25 to +85 °C
<b>Relative Humidity</b>	%10 to %90



### MECHANICAL DIMENSIONS



### PRODUCT CODING

**Model**

AWP 310

**AWP 310**

**XXX**

**Stroke Length**

See Stroke Length\*

**Resistance**

5K : 5K $\Omega$   
(Please ask us for other)

**5K**

**Output Signals**

No Code : Potentiometric  
V : 0-10 VDC Analog Voltage  
A : 4-20 mA Analog Current

**X**

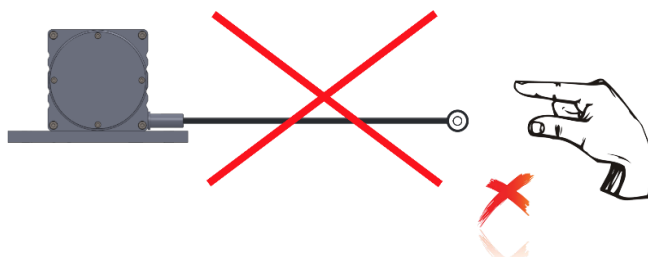
**Cable Length**

3M : 3M (standard)  
5M : 5M  
10M : 10M  
S16 : M16 Socket Connector  
S23 : M23 Socket Connector

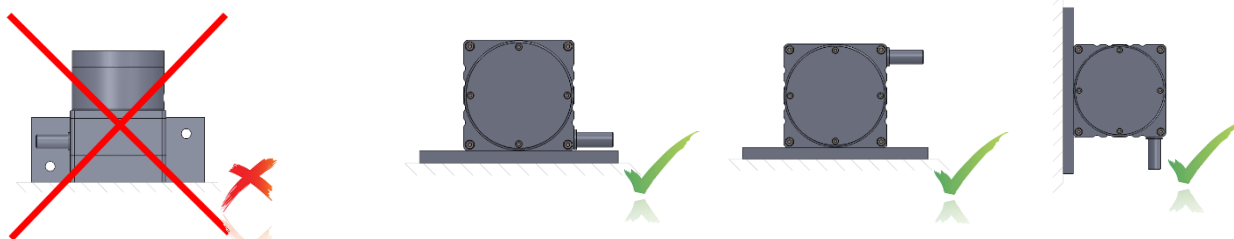
\*Stroke Length (mm):  
5000, 6000, 7000, 8000, 9000, 10.000 (Please ask us for other lengths)

\*Please ask us for other cable lengths and socket connectors

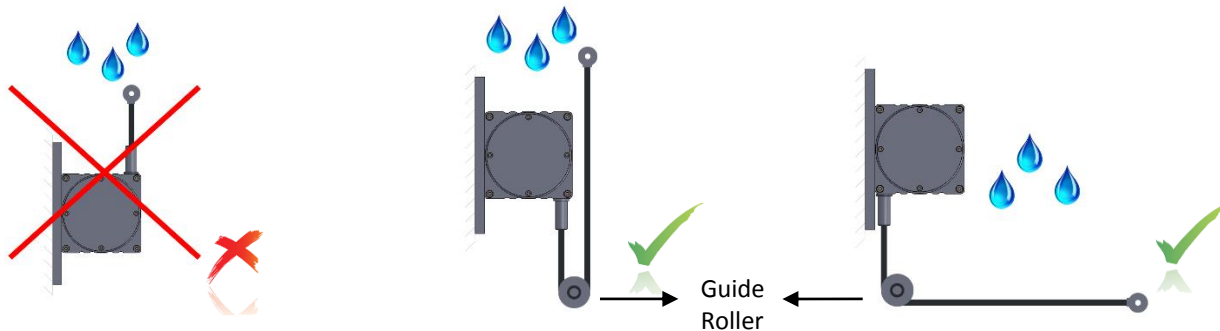
1. Do not release the wire suddenly, after pulling.



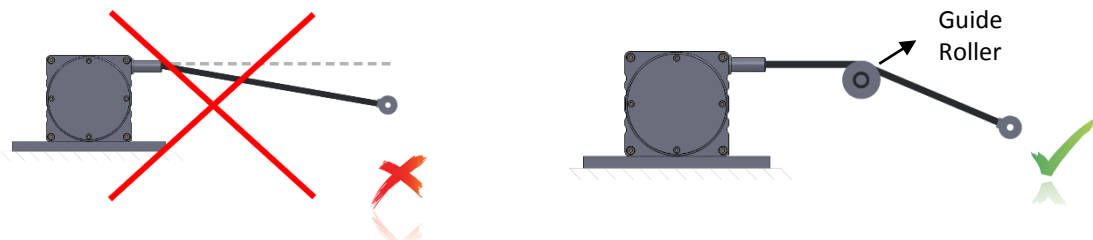
2. The wire encoder must be mounted vertically in position, not be horizontally.



3. If there is a trickle of water (like a rain), the wire outlet must not be a drip of water upstream. If needed please use guide rollers.



4. The wire should not be pulled in angular. If needed, please use guide rollers.



Failure to comply with these recommendations, the malfunctions that may occur will not be under the warranty.